

# ORKA ROUND LEG WORKSTATION



The Orka range of workstations offers a wide variety of customisation and versatility while featuring a sleek and modern round-leg. With concealed cable management, anti-collision technology, and flexibility of top size, Orka comes in both Single and Back-to-Back configurations to suit every office environment and space constraint. Orka is paired with the latest in Bluetooth technology for a smooth height adjustment, remote control, 4 memory heights, and stand reminders.





## ORKA WORKSTATION

---

Round Leg Sit-Stand Workstation

Single or Back-to-Back configuration

Height range 620-1265mm

Anti-collision technology

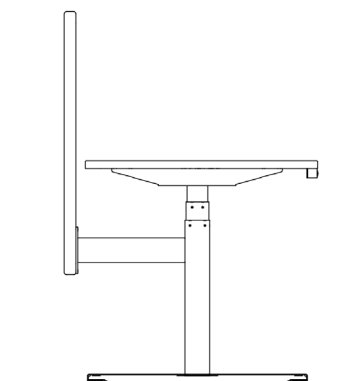
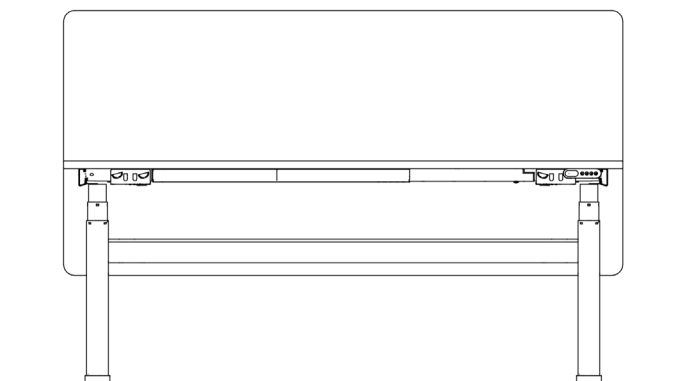
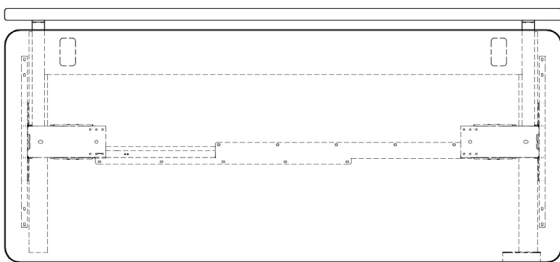
Bluetooth controllable

Adjustable to suit multiple top sizes

Concealed cable management tray

Black and white powder coat as standard finish

Available in custom colours





1800 646 186 // [sales@aspeninteriors.com.au](mailto:sales@aspeninteriors.com.au) // [www.aspeninteriors.com.au](http://www.aspeninteriors.com.au)