

# AUGUST NOOK

---

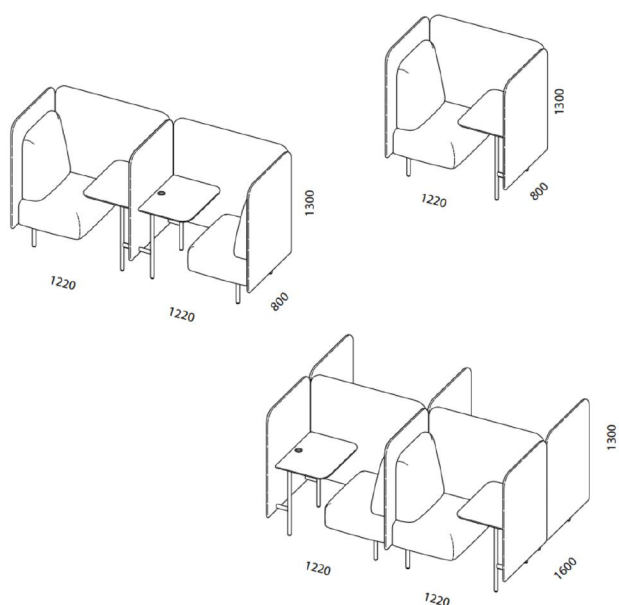




August Nook is a compact workplace for those mobile employees who land in the office to focus on episodic tasks but who doesn't require a permanent desk of their own. It offers more privacy than traditional work-bench-type solutions commonly used for such occasions. Nook is a 3-in-1 solution including a screen above eye-level to increase privacy and reduce acoustics, a desk measured for laptop work and a seat comfortable enough to stay for the whole day. Designed for open-plan offices, the Nooks can be installed as separate islets or as rows.



## PRODUCT INFORMATION



frame  
seat & backrest

legs  
additional information  
table  
plug-in option

solid wood; plywood and metal frame  
durable and fireproof HR foam; fixed seat  
and back cushions  
powdercoated metal legs; anti-slip soles  
the cover fabric is not removable  
material: Valchromat mdf, Polaris HPL  
electric outlet: 220W + 2xUSB



1800 646 186 // [sales@aspeninteriors.com.au](mailto:sales@aspeninteriors.com.au) // [www.aspeninteriors.com.au](http://www.aspeninteriors.com.au)