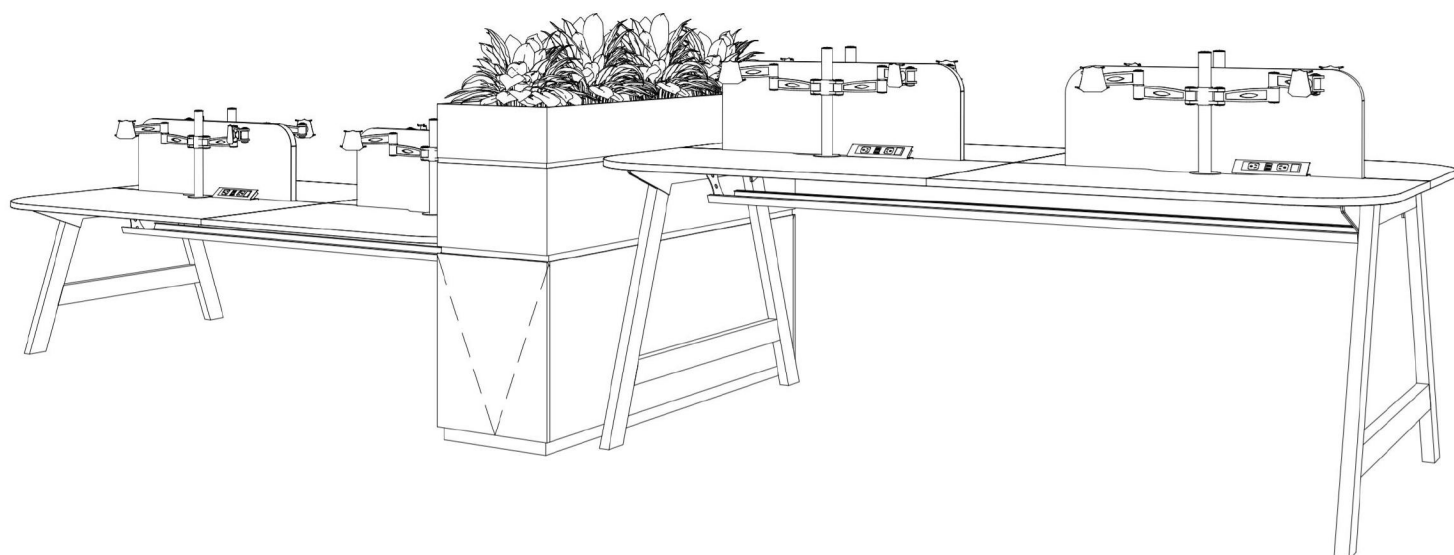


MONACO A-FRAME TABLE





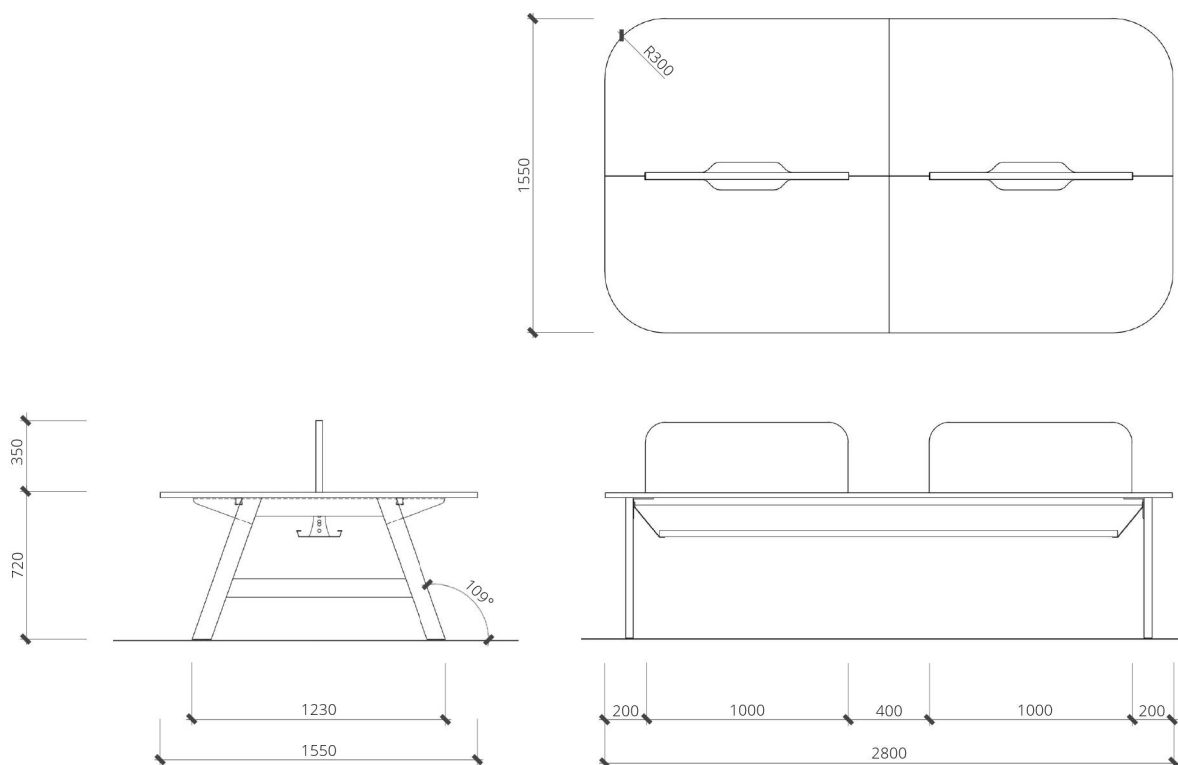
MONACO was designed and crafted with an intent to shift perspective on the standard workstation style, and reestablish the charm of solid timber in an office environment. With its modern take on the A-frame table leg and subtle rounded corners, MONACO is a nod to the beauty of simplicity and raw materials with a touch of old-school nostalgia. Available in both Sit and Stand heights, and customisable to any dimensions, MONACO also comes with options for inbuilt screens and cable management.





MONACO SIT

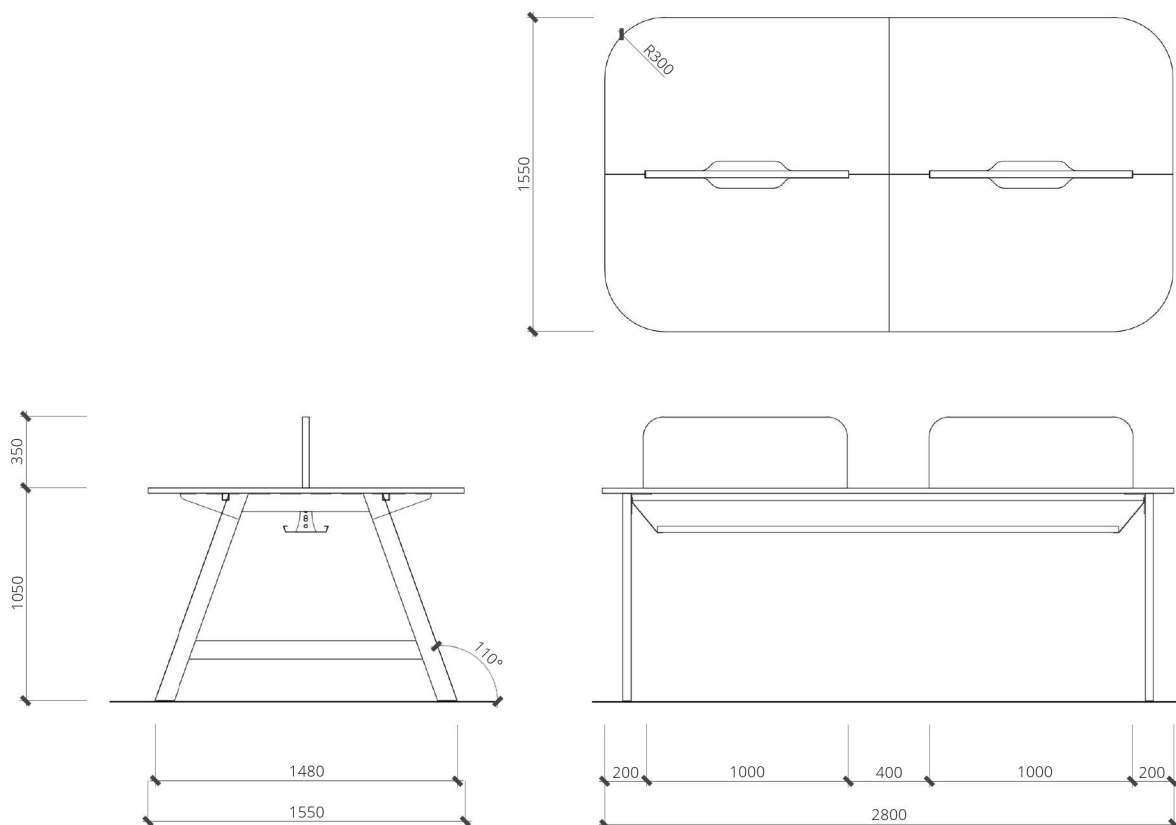
overall height (incl. dividers)	1070mm
desktop height	720mm
overall width	1550mm
overall length	2800mm
*dimensions are customisable	





MONACO STAND

overall height (incl. dividers)	1400mm
desktop height	1050mm
overall width	1550mm
overall length	2800mm
*dimensions are customisable	





1800 646 186 // sales@aspeninteriors.com.au // www.aspeninteriors.com.au